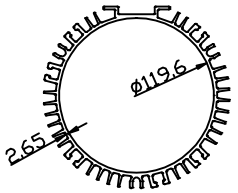
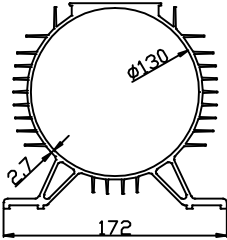
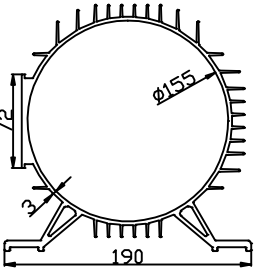
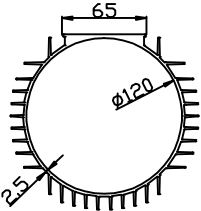
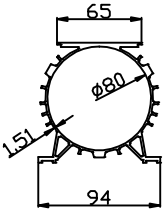
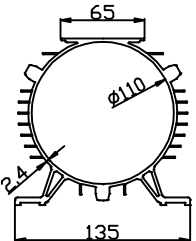
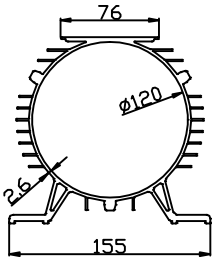
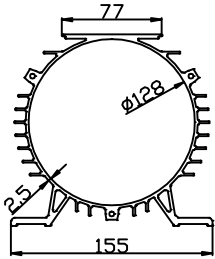
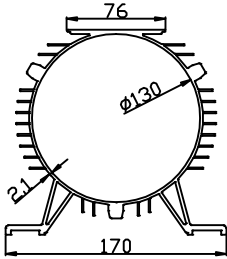
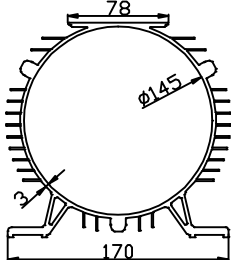
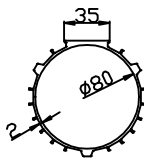
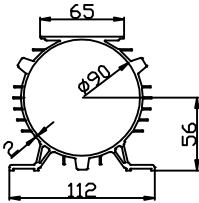
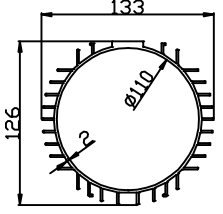
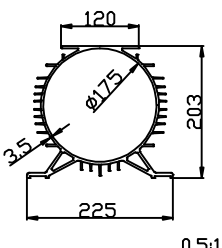
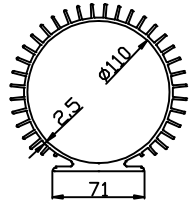
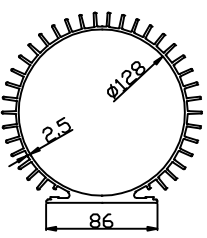
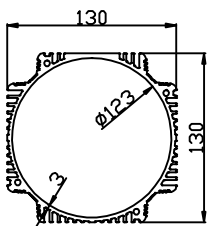
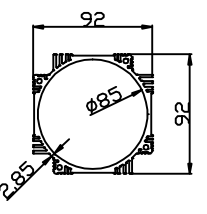


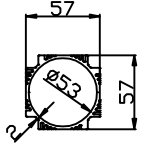
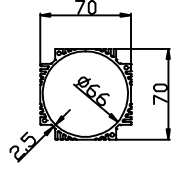
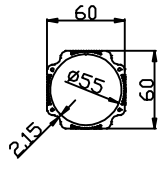
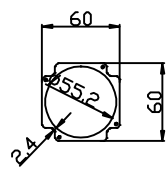
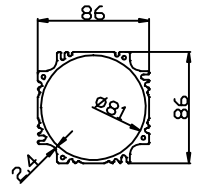
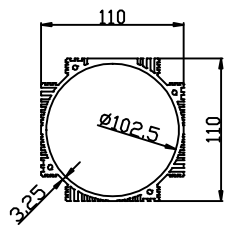
No.	Drawi ng	Theory Wei ght
SL16-L90		2.82
SL16-L96		3.49
SL16-L102		3.24
SL16-L110		4.07
SL16-L128		5.2
SL16-L130		5.46

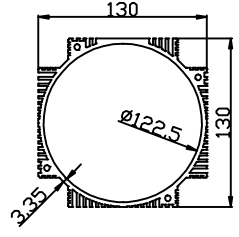
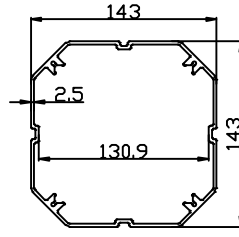
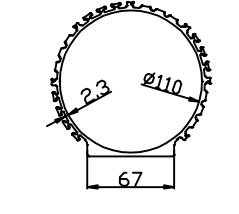
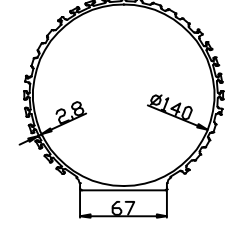
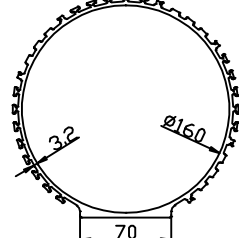
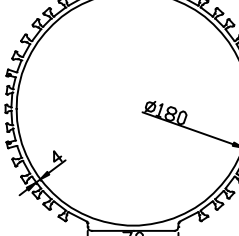
No.	Drawi ng	Theory Wei ght
SL16-L145		6.66
SL16-L155		7.4
SL16-L175		8.98
SL16-XY-18		8.76
SL16-XY-23		6.97
SL16-XY-24		7.66

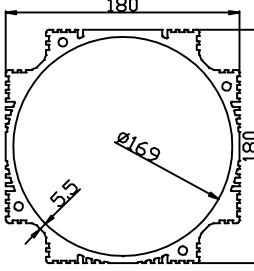
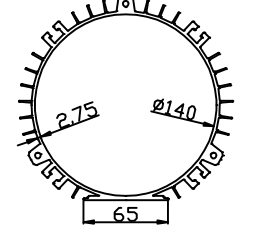
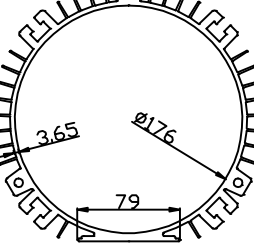
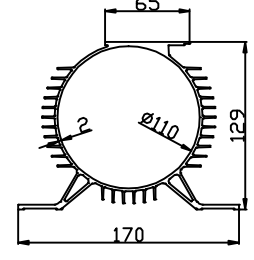
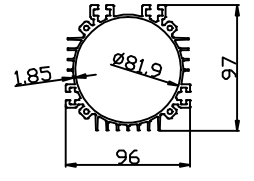
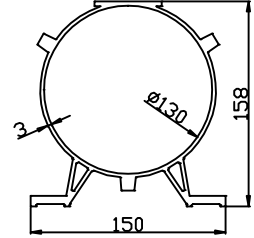
No	Drawi ng	Theory Wei ght
SL16-XY-62		5.56
SL16-Y90-130		7.2
SL16-Y100-155		8.31
SL16-YL120		4.55
SL16-50-80		2.76
SL16-71-110		5.2

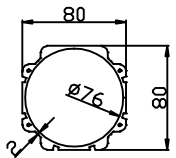
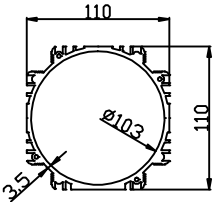
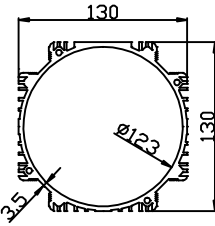
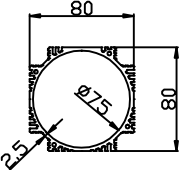
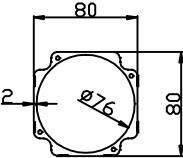
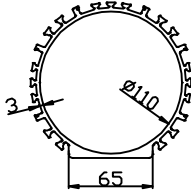
No.	Drawi ng	Theory Wei ght
SL16-80-120		6.25
SL16-80-128		6.37
SL16-90-130		6.52
SL16-90-145		8.35
SL16-L80		2.01
SL16-56-90		3.86

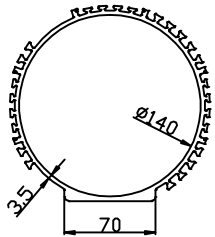
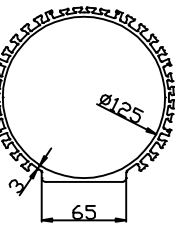
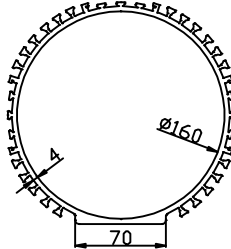
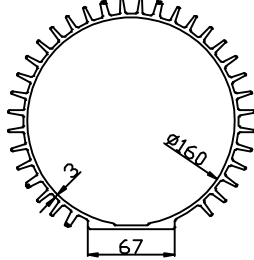
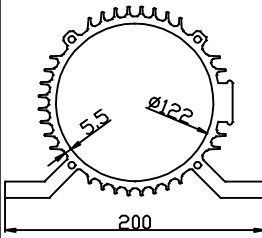
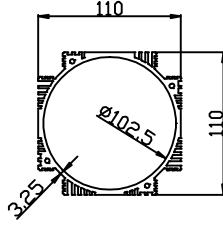
No	Drawi ng	Theory Wei ght
SL16-1		3.46
SL16-2		11.81
SL16-3		4.96
SL16-4		5.85
SL16-5		5.98
SL16-6		3.72

No.	Drawi ng	Theory Wei ght
SL16-7		1.61
SL16-8		2.19
SL16-9		1.93
SL16-10		2.16
SL16-11		3.11
SL16-12		5.24

No	Drawi ng	Theory Wei ght
SL16-13		6.41
SL16-14		4.34
SL16-15		4.07
SL16-16		5.34
SL16-17		6.59
SL16-18		9.27

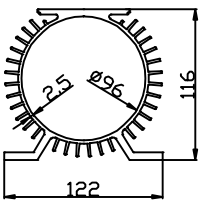
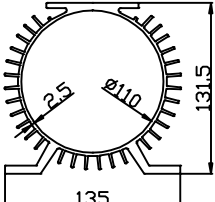
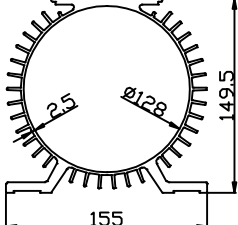
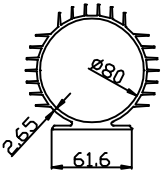
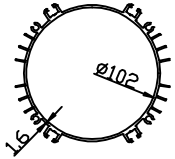
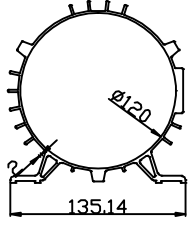
No	Drawi ng	Theory Wei ght
SL16-19		15.03
SL16-20		6.39
SL16-21		12.33
SL16-22		4.77
SL16-23		3.31
SL16-24		6.6

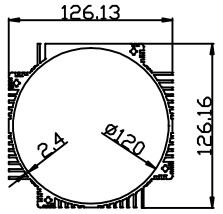
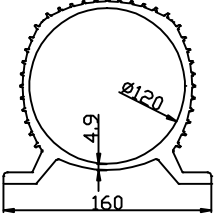
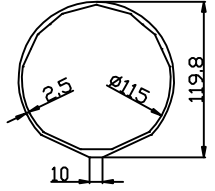
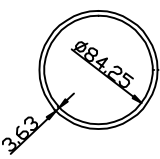
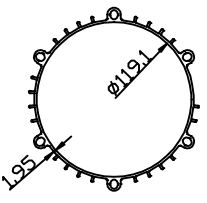
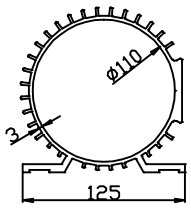
No.	Drawi ng	Theory Wei ght
SL16-25		2.73
SL16-26		4.98
SL16-27		6.25
SL16-28		2.72
SL16-29		2.98
SL16-30		4.84

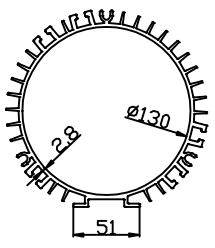
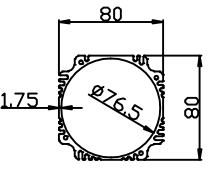
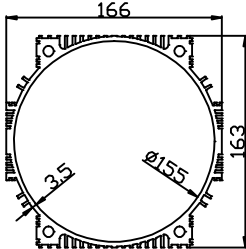
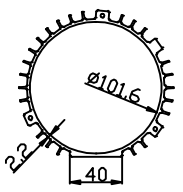
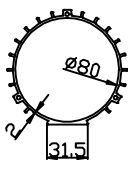
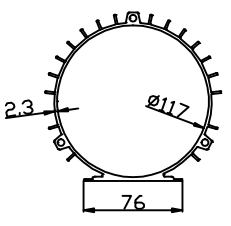
No.	Drawi ng	Theory Wei ght
SL16-31		6.55
SL16-32		5.57
SL16-33		8.48
SL16-34		8.18
SL16-35		12.47
SL16-36		5.22

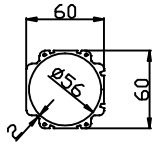
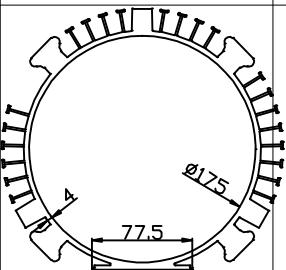
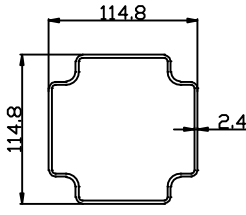
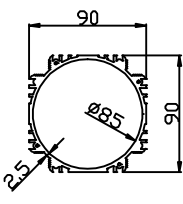
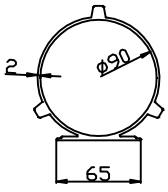
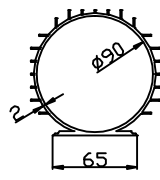
No.	Drawi ng	Theory Wei ght
SL16-37		6.29
SL16-38		18.11
SL16-39		6.86
SL16-40		15.86
SL16-41		5.5
SL16-42		5.44

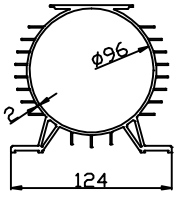
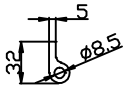
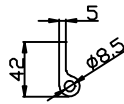
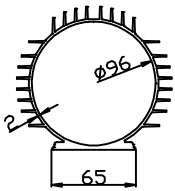
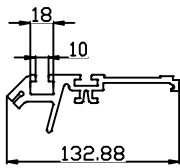
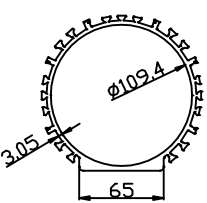
No.	Drawi ng	Theory Wei ght
SL16-43		29.45
SL16-44		5.25
SL16-45		5.58
SL16-46		6.76
SL16-47		4.16
SL16-48		4.13

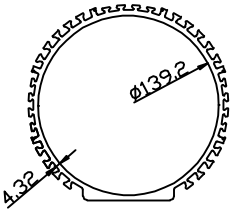
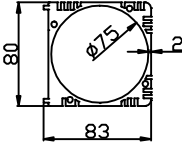
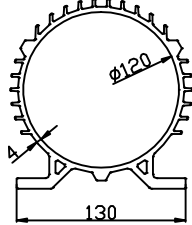
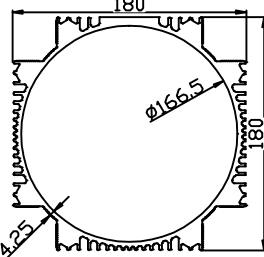
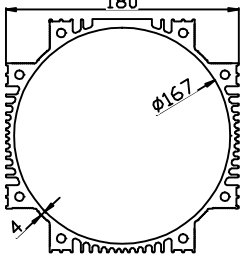
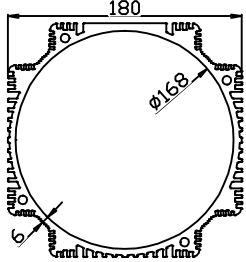
No.	Drawi ng	Theory Wei ght
SL16-49		5.8
SL16-50		6.57
SL16-51		8.05
SL16-52		3.18
SL16-53		2.43
SL16-54		4.67

No.	Drawi ng	Theory Wei ght
SL16-55		5.3
SL16-56		10.62
SL16-57		3.31
SL16-58		2.75
SL16-59		3.16
SL16-60		5.53

No.	Drawi ng	Theory Wei ght
SL16-61		6.06
SL16-62		2.72
SL16-63		9.21
SL16-64		3.36
SL16-65		1.95
SL16-66		3.82

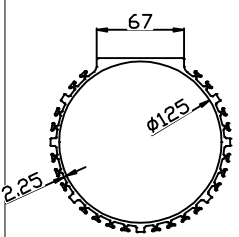
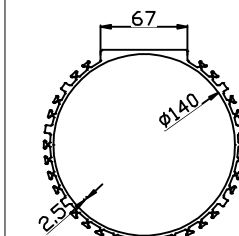
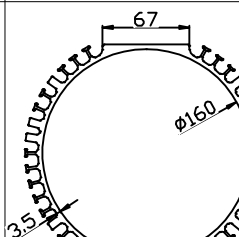
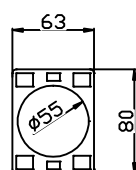
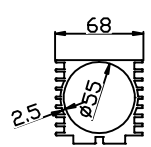
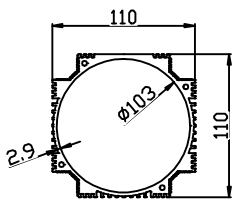
No.	Drawi ng	Theory Wei ght
SL16-67		1.82
SL16-68		15.57
SL16-69		2.78
SL16-70		3.23
SL16-71		2.66
SL16-72		2.3

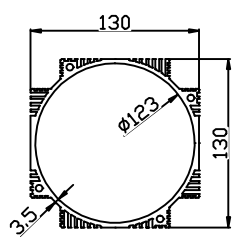
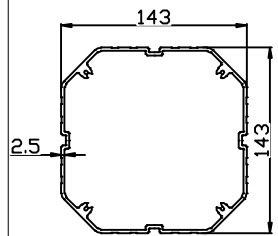
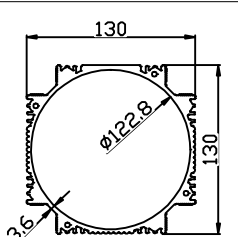
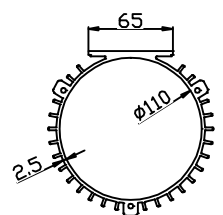
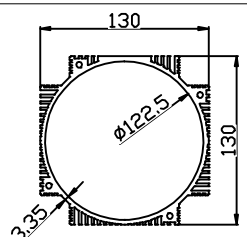
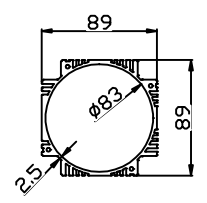
No.	Drawi ng	Theory Wei ght
SL16-73		3.7
SL16-74		0.66
SL16-75		0.8
SL16-76		3.29
SL16-77		3.28
SL16-78		4.93

No.	Drawi ng	Theory Wei ght
SL16-79		7.01
SL16-80		4.42
SL16-81		7.91
SL16-82		13.04
SL16-83		12.72
SL16-84		13.58

No.	Drawing	Theory Weight
SL16-85	<p>0.5:1</p>	24.43
SL16-86	<p>0.5:1</p>	21.09
SL16-87		4.49
SL16-88		3.71
SL16-89		2.87
SL16-90		3.07

No.	Drawing	Theory Weight
SL16-91		2.97
SL16-92		2.49
SL16-93	<p>0.5:1</p>	17.36
SL16-94		4.31
SL16-95		4.66
SL16-96		3.88

No.	Drawi ng	Theory Wei ght
SL16-97		4.49
SL16-98		5.3
SL16-99		9.09
SL16-100		5.49
SL16-101		3.58
SL16-102		5.4

No.	Drawi ng	Theory Wei ght
SL16-103		6.31
SL16-104		4.15
SL16-105		7.06
SL16-106		4.67
SL16-107		6.41
SL16-108		3.65