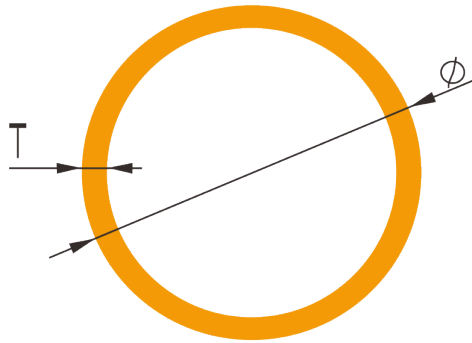


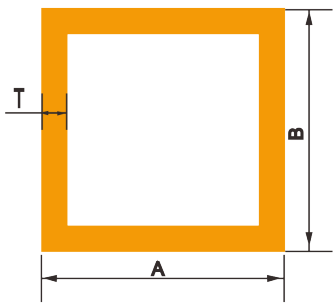
## Aluminum Round Tube

| Φ     | T   | KG/M  | Φ     | T   | KG/M  |
|-------|-----|-------|-------|-----|-------|
| 8     | 2.3 | 0.11  | 22    | 2.5 | 0.42  |
| 9     | 1.3 | 0.09  | 22    | 1.0 | 0.173 |
| 10    | 2.0 | 0.143 | 22.2  | 2.0 | 0.35  |
| 11    | 1.2 | 0.1   | 22.2  | 1.5 | 0.27  |
| 12    | 1.2 | 0.114 | 22.2  | 1.2 | 0.225 |
| 12.7  | 1.6 | 0.16  | 22.62 | 1.5 | 0.27  |
| 14.5  | 1.2 | 0.136 | 22.8  | 5.8 | 0.839 |
| 15.87 | 1.4 | 0.18  | 22.86 | 4.9 | 0.784 |
| 16    | 1.2 | 0.16  | 23.8  | 2.6 | 0.472 |
| 16    | 1.2 | 0.145 | 24.5  | 1.8 | 0.348 |
| 16    | 1.2 | 0.151 | 25    | 1.0 | 0.206 |
| 17    | 2.5 | 0.309 | 25    | 2.8 | 0.55  |
| 18    | 1.2 | 0.172 | 25.4  | 1.8 | 0.37  |
| 19    | 2.0 | 0.3   | 25.4  | 2.5 | 0.49  |
| 19    | 1.4 | 0.21  | 25.4  | 2.0 | 0.4   |
| 19    | 1.0 | 0.155 | 25.4  | 1.5 | 0.31  |
| 19    | 1.2 | 0.182 | 25.4  | 1.2 | 0.213 |
| 19.1  | 1.6 | 0.24  | 25.4  | 6.7 | 1.07  |
| 19.6  | 1.5 | 0.24  | 25.7  | 2.3 | 0.46  |
| 20    | 2.5 | 0.372 | 26    | 4.0 | 0.747 |
| 20    | 1.5 | 0.23  | 28    | 5.8 | 1.1   |
| 21.2  | 1.2 | 0.21  | 28.2  | 1.6 | 0.365 |
| 21.34 | 2.8 | 0.44  | 28.8  | 1.8 | 0.434 |
| 22    | 2.0 | 0.34  | 29    | 1.8 | 0.41  |



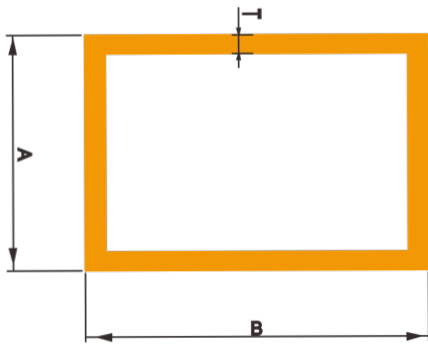
## Aluminum Round Tube

| Φ     | T   | KG/M  | Φ     | T    | KG/M  |
|-------|-----|-------|-------|------|-------|
| 29    | 1.5 | 0.3   | 50    | 1.2  | 0.499 |
| 30    | 1.2 | 0.3   | 50.8  | 2.5  | 1.028 |
| 31.6  | 3.2 | 0.77  | 50.8  | 1.8  | 0.751 |
| 31.75 | 1.9 | 0.5   | 50.8  | 1.6  | 0.67  |
| 31.75 | 1.5 | 0.38  | 50.8  | 2.0  | 0.831 |
| 31.8  | 1.3 | 0.366 | 52    | 2.5  | 1.053 |
| 31.8  | 1.6 | 0.411 | 55    | 1.0  | 0.46  |
| 32    | 2.5 | 0.628 | 58    | 1.6  | 0.77  |
| 33.6  | 3.0 | 0.782 | 58    | 1.7  | 0.815 |
| 34    | 5.0 | 1.233 | 60    | 5.0  | 2.359 |
| 35    | 2.5 | 0.692 | 60    | 2.5  | 1.224 |
| 35    | 1.6 | 0.46  | 60    | 1.6  | 0.8   |
| 35.61 | 1.5 | 0.44  | 60    | 2.0  | 0.99  |
| 36    | 6.0 | 1.53  | 62    | 2.3  | 1.17  |
| 36    | 1.5 | 0.45  | 63    | 9.0  | 4.138 |
| 38    | 1.2 | 0.377 | 63.3  | 1.5  | 0.789 |
| 38    | 2.8 | 0.84  | 65    | 1.5  | 0.81  |
| 40    | 1.8 | 0.59  | 70    | 1.8  | 1.045 |
| 40    | 4.0 | 1.221 | 70    | 1.2  | 0.703 |
| 41.76 | 1.5 | 0.552 | 80    | 5.0  | 3.193 |
| 42.2  | 3.6 | 1.192 | 97.5  | 5.75 | 4.49  |
| 44.5  | 2.3 | 0.834 | 100   | 3    | 2.63  |
| 48    | 4.0 | 1.5   | 101.6 | 12.8 | 9.75  |
| 48.3  | 3.7 | 1.42  | 170.6 | 5.0  | 7.049 |



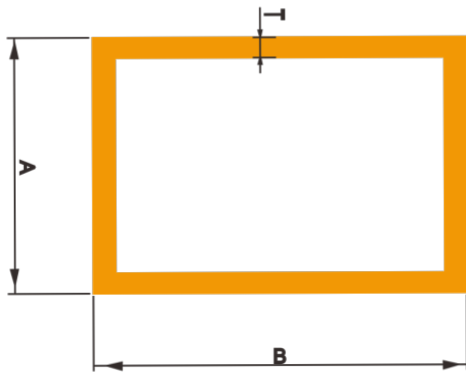
## Aluminum Square Tube

| A    | B    | T   | KG/M  | A     | B     | T   | KG/M  |
|------|------|-----|-------|-------|-------|-----|-------|
| 10   | 10   | 0.8 | 0.061 | 30    | 30    | 1.6 | 0.5   |
| 10   | 10   | 1.2 | 0.09  | 40    | 40    | 1.1 | 0.47  |
| 12   | 12   | 1.5 | 0.17  | 40    | 40    | 1.2 | 0.5   |
| 15   | 15   | 1.2 | 0.18  | 40    | 40    | 2.0 | 0.83  |
| 19   | 19   | 1.8 | 0.33  | 40    | 40    | 3.0 | 1.21. |
| 20   | 20   | 0.9 | 0.19  | 44    | 44    | 1.2 | 0.557 |
| 20   | 20   | 1.2 | 0.244 | 50    | 50    | 1.6 | 0.85  |
| 22   | 22   | 2.0 | 0.44  | 50.8  | 50.8  | 2.4 | 1.27  |
| 25   | 25   | 1.2 | 0.25  | 50.8  | 50.8  | 3.1 | 1.614 |
| 25   | 25   | 1.5 | 0.39  | 50.8  | 50.8  | 5.6 | 2.763 |
| 25   | 25   | 1.6 | 0.403 | 60    | 60    | 1.1 | 0.71  |
| 26   | 26   | 3.9 | 0.934 | 60    | 60    | 2.0 | 1.27  |
| 25.4 | 25.4 | 1.2 | 0.31  | 76    | 76    | 1.2 | 0.98  |
| 25.4 | 25.4 | 2.0 | 0.5   | 80    | 80    | 1.2 | 1.025 |
| 22   | 22   | 2.0 | 0.44  | 80    | 80    | 1.5 | 1.3   |
| 25   | 16   | 1.2 | 0.25  | 85    | 85    | 1.4 | 1.28  |
| 25.1 | 12   | 1.2 | 0.237 | 101.6 | 101.6 | 1.6 | 1.73  |
| 25   | 25   | 1.2 | 0.312 | 100   | 100   | 1.2 | 1.3   |
| 25.4 | 25.4 | 2.0 | 0.5   | 63.5  | 63.5  | 2.0 | 1.34  |
| 26   | 26   | 1.9 | 0.5   | 63.5  | 63.5  | 3.0 | 1.96  |
| 27.5 | 27.5 | 1.6 | 0.45  | 76.2  | 76.2  | 3.0 | 2.332 |
| 28   | 28   | 1.4 | 0.41  | 110   | 110   | 2.5 | 2.92  |



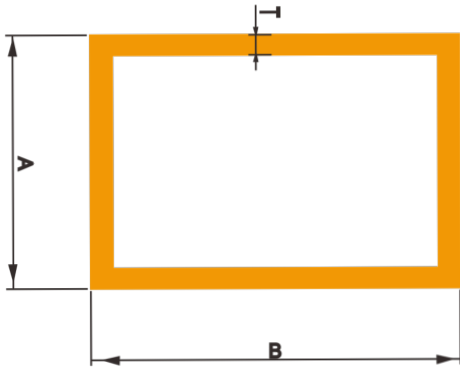
## Aluminum Rectangle Tube

| A    | B    | T   | KG/M  | A    | B    | T    | KG/M  |
|------|------|-----|-------|------|------|------|-------|
| 10   | 20   | 1.5 | 0.22  | 30   | 20   | 0.8  | 0.211 |
| 12   | 25   | 0.9 | 0.172 | 30   | 20   | 1.0  | 0.26  |
| 14   | 24   | 1.2 | 0.23  | 30   | 20   | 2.5  | 0.614 |
| 15   | 12   | 1.0 | 0.136 | 31   | 21   | 1.0  | 0.27  |
| 15   | 12   | 0.8 | 0.11  | 31.5 | 10   | 1.0  | 0.22  |
| 15   | 6    | 0.8 | 0.084 | 32   | 14   | 1.0  | 0.238 |
| 15   | 9    | 1.0 | 0.12  | 32   | 24   | 1.0  | 0.3   |
| 15   | 12   | 1.2 | 0.16  | 35   | 20   | 0.8  | 0.23  |
| 17   | 5    | 0.8 | 0.089 | 36   | 16   | 1.0  | 0.27  |
| 17   | 6    | 0.8 | 0.093 | 38   | 10   | 1.0  | 0.238 |
| 20   | 12   | 0.8 | 0.132 | 38   | 12.7 | 1.2  | 0.31  |
| 20   | 30   | 1.0 | 0.262 | 38   | 16   | 2.0  | 0.542 |
| 20   | 50   | 1.1 | 0.404 | 38   | 25   | 1.2  | 0.397 |
| 20   | 9    | 1.0 | 0.146 | 38   | 25   | 1.8  | 0.577 |
| 20   | 25   | 1.0 | 0.233 | 38   | 25   | 1.45 | 0.469 |
| 22   | 15   | 0.9 | 0.18  | 40   | 12   | 0.8  | 0.22  |
| 24   | 14   | 1.2 | 0.23  | 40   | 15   | 1.2  | 0.342 |
| 25   | 12   | 0.8 | 0.153 | 40   | 15   | 2.0  | 0.55  |
| 25   | 16   | 1.2 | 0.25  | 40   | 150  | 1.5  | 1.53  |
| 25   | 20   | 1.0 | 0.233 | 40   | 18   | 2.0  | 0.585 |
| 25.1 | 12   | 1.2 | 0.237 | 40   | 18   | 1.8  | 0.53  |
| 25   | 17   | 1.0 | 0.217 | 40   | 20   | 1.8  | 0.55  |
| 28   | 9    | 1.0 | 0.21  | 40   | 20   | 1.2  | 0.375 |
| 30   | 19.7 | 1.5 | 0.37  | 40   | 20   | 2.0  | 0.607 |



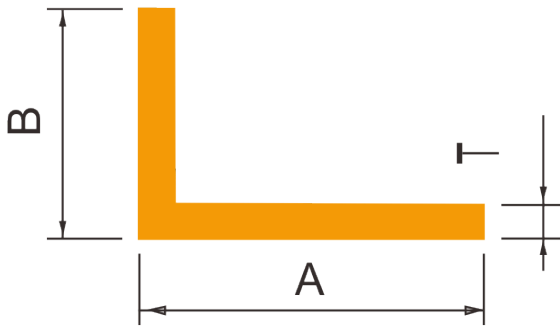
## Aluminum Rectangle Tube

| A    | B    | T   | KG/M  | A    | B    | T   | KG/M  |
|------|------|-----|-------|------|------|-----|-------|
| 42.1 | 25.6 | 0.8 | 0.29  | 70   | 35   | 1.2 | 0.635 |
| 45   | 30   | 1.2 | 0.53  | 75   | 15   | 1.2 | 0.605 |
| 50   | 15   | 1.2 | 0.41  | 76   | 25   | 1.0 | 0.541 |
| 50   | 20   | 1.1 | 0.407 | 76   | 25   | 1.4 | 0.751 |
| 50   | 20   | 2.0 | 0.721 | 76   | 44   | 1.2 | 0.637 |
| 50   | 25   | 1.0 | 0.398 | 76.2 | 25.4 | 1.2 | 0.65  |
| 50   | 25   | 1.4 | 0.552 | 76.2 | 44.5 | 1.0 | 0.645 |
| 50   | 30   | 1.4 | 0.586 | 76.2 | 44.5 | 1.4 | 0.896 |
| 50   | 35   | 1.0 | 0.454 | 76.2 | 44.5 | 2.0 | 1.27  |
| 50   | 40   | 1.5 | 0.71  | 76.2 | 50.8 | 3.0 | 2.332 |
| 50   | 40   | 2.5 | 1.148 | 80   | 25   | 1.0 | 0.556 |
| 50.8 | 25.4 | 2.0 | 0.783 | 80   | 25.4 | 1.2 | 0.673 |
| 60   | 15   | 0.8 | 0.32  | 80   | 25.4 | 1.4 | 0.782 |
| 60   | 25   | 3.0 | 1.28  | 80   | 39   | 2.3 | 1.67  |
| 60   | 30   | 1.1 | 0.52  | 80   | 40   | 2.5 | 1.56  |
| 60   | 40   | 1.2 | 0.235 | 80   | 40   | 3.0 | 1.853 |
| 60   | 40   | 2.5 | 1.29  | 80   | 44   | 1.2 | 0.797 |
| 60   | 50   | 3.0 | 1.691 | 80   | 44   | 3.0 | 1.919 |
| 63   | 40   | 1.2 | 0.654 | 80   | 44.4 | 1.2 | 0.79  |
| 65   | 20   | 1.0 | 0.45  | 80   | 45   | 2.0 | 1.32  |
| 68   | 25   | 0.8 | 0.4   | 80   | 50   | 4.0 | 2.7   |
| 68   | 60   | 1.5 | 1.03  | 80   | 50   | 2.8 | 1.888 |
| 70   | 25   | 1.0 | 0.602 | 80   | 60   | 1.6 | 1.186 |
| 70   | 25   | 1.4 | 0.699 | 82.1 | 44   | 2.0 | 1.331 |



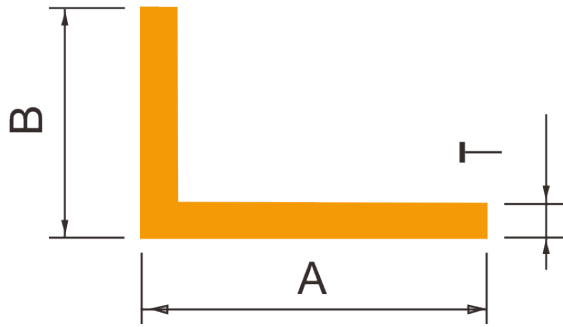
## Aluminum Rectangle Tube

| A    | B    | T   | KG/M  | A     | B    | T   | KG/M  |
|------|------|-----|-------|-------|------|-----|-------|
| 83   | 25   | 1.2 | 0.656 | 100   | 50   | 1.2 | 0.97  |
| 83   | 44   | 1.0 | 0.678 | 100   | 60   | 1.4 | 1.19  |
| 83   | 44   | 1.2 | 0.807 | 101.6 | 25.4 | 1.2 | 0.81  |
| 85   | 25   | 1.2 | 0.705 | 101.6 | 44.5 | 1.2 | 0.935 |
| 85   | 25   | 1.0 | 0.583 | 101.6 | 44.5 | 2.0 | 1.54  |
| 85   | 44   | 1.0 | 0.686 | 101.6 | 50.8 | 2.9 | 2.3   |
| 85   | 20   | 1.4 | 0.775 | 106   | 38   | 1.2 | 0.92  |
| 86   | 25   | 1.2 | 0.706 | 110   | 25   | 1.4 | 1     |
| 86   | 45   | 1.4 | 0.98  | 110   | 35   | 1.5 | 1.163 |
| 86   | 45   | 2.0 | 1.4   | 120   | 110  | 2.0 | 2.45  |
| 86   | 45   | 2.5 | 1.71  | 120   | 150  | 3.0 | 4.3   |
| 86   | 45   | 1.2 | 0.84  | 120   | 40   | 1.2 | 1.03  |
| 90   | 25   | 1.2 | 0.73  | 120   | 80   | 2.5 | 2.64  |
| 90   | 44   | 1.2 | 0.856 | 140   | 50   | 2.5 | 2.507 |
| 90   | 63   | 2.0 | 1.63  | 149   | 29   | 1.8 | 1.7   |
| 95   | 25   | 1.8 | 1.14  | 150   | 100  | 2.0 | 2.67  |
| 97   | 75   | 3.0 | 2.7   | 150   | 100  | 3.0 | 4.3   |
| 99.6 | 49.7 | 5.0 | 3.8   | 150   | 120  | 3.0 | 4.29  |
| 99   | 43   | 3.2 | 2.352 | 150   | 50   | 2.0 | 2.125 |
| 100  | 120  | 2.0 | 2.36  | 160   | 60   | 2.2 | 2.571 |
| 100  | 150  | 2.0 | 2.7   | 160   | 30   | 1.3 | 1.32  |
| 100  | 25   | 1.0 | 0.667 | 175   | 32   | 1.8 | 2.14  |
| 100  | 50   | 1.6 | 1.293 | 200   | 65   | 4.0 | 5.532 |
| 100  | 50   | 3.0 | 2.355 | 200   | 80   | 4.0 | 4.392 |



## Aluminum Angle

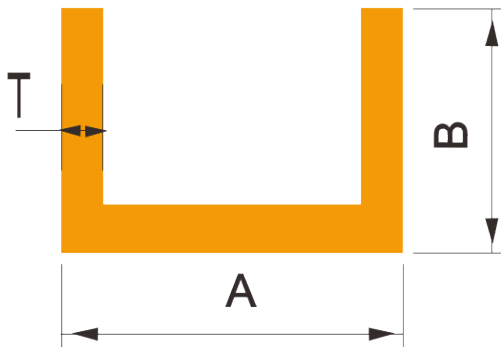
| A     | B    | T   | KG/M  | A    | B    | T   | KG/M  |
|-------|------|-----|-------|------|------|-----|-------|
| 12.7  | 22.3 | 2.0 | 0.179 | 30   | 20   | 2.8 | 0.375 |
| 12.91 | 13   | 2.0 | 0.123 | 30   | 20   | 1.5 | 0.2   |
| 15    | 15   | 2.0 | 0.153 | 30   | 25   | 3.0 | 0.43  |
| 16    | 5    | 1.5 | 0.078 | 30   | 30   | 1.4 | 0.222 |
| 16.5  | 18   | 2.0 | 0.18  | 30   | 30   | 1.5 | 0.235 |
| 20    | 10   | 2.0 | 0.152 | 30   | 30   | 0.8 | 0.125 |
| 20    | 13   | 2.0 | 0.168 | 30   | 30   | 3.0 | 0.47  |
| 20    | 20   | 1.5 | 0.157 | 30   | 30   | 4.0 | 0.594 |
| 20    | 20   | 2.0 | 0.21  | 30   | 20   | 2.0 | 0.273 |
| 20    | 20   | 1.0 | 0.11  | 30   | 20   | 3.0 | 0.382 |
| 20    | 20   | 3.0 | 0.3   | 31.8 | 31.8 | 4.7 | 0.75  |
| 20    | 5.8  | 1.5 | 0.1   | 31.8 | 31.8 | 3.2 | 0.517 |
| 22    | 12.5 | 3.0 | 0.253 | 34   | 12.5 | 1.5 | 0.182 |
| 22.3  | 12.7 | 2.0 | 0.178 | 35   | 20   | 3.0 | 0.43  |
| 25    | 13   | 1.8 | 0.176 | 37   | 12.5 | 3.0 | 0.377 |
| 25    | 25   | 2.0 | 0.262 | 38   | 25   | 3.0 | 0.5   |
| 25    | 35   | 3.0 | 0.46  | 38   | 25   | 1.2 | 0.2   |
| 25    | 50.8 | 3.0 | 0.59  | 38   | 25.4 | 3.0 | 0.489 |
| 25.4  | 25.4 | 3.2 | 0.366 | 38   | 38   | 4.0 | 0.778 |
| 27    | 10   | 2.0 | 0.2   | 38   | 38   | 3.7 | 0.73  |
| 29.2  | 65   | 3.2 | 0.789 | 38.1 | 38.1 | 3.2 | 0.64  |



## Aluminum Angle

| A    | B    | T    | KG/M  | A    | B    | T    | KG/M  |
|------|------|------|-------|------|------|------|-------|
| 38.1 | 76.2 | 2.0  | 0.61  | 50   | 50   | 4.0  | 1.05  |
| 38   | 15   | 1.2  | 0.171 | 50   | 50   | 9.1  | 2.07  |
| 40   | 40   | 3.0  | 0.63  | 50.8 | 25.4 | 2.0  | 0.402 |
| 40   | 40   | 3.9  | 0.752 | 50.8 | 50.8 | 2.0  | 0.54  |
| 40   | 40   | 2.0  | 0.4   | 50.8 | 50.8 | 6.2  | 1.62  |
| 40   | 60   | 4.0  | 1.1   | 60   | 24   | 3.0  | 0.659 |
| 40.1 | 18   | 1.4  | 0.23  | 63.5 | 63.5 | 6.35 | 2.11  |
| 40.1 | 22   | 1.4  | 0.23  | 70   | 30   | 2.0  | 0.53  |
| 41.8 | 38.8 | 10.0 | 1.91  | 75   | 50   | 5.0  | 1.611 |
| 45   | 45   | 3.0  | 0.71  | 75   | 75   | 2.0  | 0.81  |
| 45   | 15   | 3.0  | 0.464 | 80   | 80   | 1.5  | 0.58  |
| 45   | 25   | 2.0  | 0.369 | 90   | 21   | 3.0  | 0.88  |
| 50   | 20   | 3.0  | 0.55  | 110  | 28   | 2.0  | 0.737 |
| 50   | 20   | 2.0  | 0.37  | 120  | 60   | 5.0  | 2.425 |
| 50   | 25   | 5.0  | 0.949 | 120  | 80   | 8.0  | 4.19  |
| 50   | 50   | 6.0  | 1.528 | 122  | 10   | 1.5  | 0.53  |





## Aluminum Channel

| A    | B    | T   | KG/M  | A     | B    | T   | KG/M  |
|------|------|-----|-------|-------|------|-----|-------|
| 10   | 10   | 0.9 | 0.069 | 38    | 19   | 2.0 | 0.39  |
| 10   | 10   | 0.8 | 0.061 | 38    | 19   | 1.7 | 0.342 |
| 10   | 10   | 1.2 | 0.09  | 38    | 30   | 3.0 | 0.748 |
| 10   | 18   | 2.5 | 0.28  | 40    | 10   | 3.0 | 0.45  |
| 10.5 | 14.2 | 1.2 | 0.12  | 42    | 54.2 | 1.6 | 0.637 |
| 12   | 12   | 0.9 | 0.083 | 43    | 15   | 1.5 | 0.28  |
| 12   | 12   | 1.0 | 0.084 | 48.5  | 5.3  | 1.0 | 0.16  |
| 12   | 12   | 1.2 | 0.101 | 50    | 25   | 1.4 | 0.37  |
| 15   | 25   | 2.0 | 0.333 | 50    | 15   | 1.2 | 0.252 |
| 16   | 24   | 2.0 | 0.323 | 52    | 25   | 3.0 | 0.78  |
| 17   | 17   | 1.0 | 0.126 | 52.5  | 4.5  | 1.2 | 0.2   |
| 18   | 10   | 1.5 | 0.149 | 54.2  | 42   | 1.6 | 0.586 |
| 20   | 20   | 2.0 | 0.304 | 57.2  | 57.2 | 6.4 | 2.77  |
| 20   | 20   | 3.0 | 0.439 | 60    | 50   | 6.0 | 2.406 |
| 20   | 23   | 1.5 | 0.256 | 69.9  | 42.9 | 7.9 | 3.02  |
| 22   | 17   | 1.0 | 0.15  | 7     | 9    | 1.0 | 0.06  |
| 23   | 13   | 1.1 | 0.14  | 70    | 45   | 2.0 | 0.846 |
| 25   | 18   | 1.0 | 0.16  | 80    | 35   | 1.2 | 0.48  |
| 25   | 25   | 3.0 | 0.561 | 88.5  | 5    | 3.0 | 0.76  |
| 28   | 4.5  | 1.0 | 0.1   | 101.6 | 35   | 1.2 | 0.55  |
| 30.7 | 10.9 | 1.2 | 0.164 | 125   | 50   | 8.0 | 4.521 |
| 34.5 | 50   | 1.0 | 0.36  | 150   | 36   | 1.4 | 0.92  |
| 35   | 35   | 1.1 | 0.306 | 186   | 29   | 2.5 | 1.619 |
| 36.5 | 25   | 2.0 | 0.45  | 192   | 64.1 | 2.6 | 2.219 |



## Aluminum Bar

| A    | B    | KG/M  | A    | B    | KG/M  |
|------|------|-------|------|------|-------|
| 10   | 3    | 0.08  | 25.4 | 5    | 0.344 |
| 12   | 15   | 0.488 | 25.4 | 9.8  | 0.708 |
| 12   | 2.5  | 0.082 | 26   | 3    | 0.21  |
| 12   | 2.8  | 0.086 | 27.5 | 8    | 0.6   |
| 12.2 | 17.2 | 0.54  | 28   | 2    | 0.152 |
| 12.7 | 1    | 0.036 | 29   | 10   | 0.79  |
| 12.7 | 2.6  | 0.089 | 30   | 10   | 0.81  |
| 13   | 2    | 0.07  | 31   | 2    | 0.17  |
| 13   | 3    | 0.11  | 31   | 5.8  | 0.49  |
| 14   | 16   | 0.493 | 31   | 6.3  | 0.533 |
| 15   | 0.7  | 0.029 | 31.5 | 3.2  | 0.273 |
| 15   | 15   | 0.61  | 31.8 | 3.5  | 0.302 |
| 15   | 3    | 0.122 | 32   | 3    | 0.26  |
| 17.1 | 10   | 0.46  | 32   | 3.2  | 0.28  |
| 19   | 1.2  | 0.062 | 32   | 7.5  | 0.655 |
| 19   | 6.5  | 0.34  | 32   | 8    | 0.7   |
| 21   | 3    | 0.172 | 32   | 9.5  | 0.829 |
| 23   | 2    | 0.125 | 34   | 3    | 0.276 |
| 24   | 2    | 0.13  | 34.5 | 11.5 | 1.07  |
| 25   | 1.2  | 0.082 | 34.5 | 7    | 0.654 |
| 25   | 2    | 0.136 | 35   | 8.9  | 0.852 |
| 25   | 4.5  | 0.304 | 35   | 73.5 | 6.97  |
| 25.3 | 10.8 | 0.74  | 36   | 6    | 0.59  |
| 25.4 | 3    | 0.205 | 36   | 6.3  | 0.62  |



## Aluminum Bar

| A    | B   | KG/M  | A    | B    | KG/M  |
|------|-----|-------|------|------|-------|
| 37   | 1.4 | 0.14  | 42   | 10   | 1.45  |
| 37   | 8   | 0.799 | 43   | 20   | 2.331 |
| 37.5 | 6   | 0.61  | 43   | 3.85 | 0.46  |
| 38   | 1.2 | 0.124 | 43.5 | 8    | 0.943 |
| 38   | 1.6 | 0.17  | 44   | 5    | 0.6   |
| 38   | 2   | 0.206 | 45   | 10   | 1.22  |
| 38   | 3.5 | 0.36  | 45   | 3    | 0.365 |
| 38   | 4   | 0.41  | 46   | 2    | 0.25  |
| 38   | 6   | 0.623 | 47   | 1.5  | 0.2   |
| 38.8 | 3.2 | 0.336 | 47   | 5.2  | 0.662 |
| 39   | 2.8 | 0.298 | 48   | 8    | 1.05  |
| 40   | 15  | 1.625 | 49.5 | 3.8  | 0.514 |
| 40   | 2   | 0.22  | 49.8 | 3    | 0.405 |
| 40   | 3   | 0.33  | 5.4  | 66   | 0.973 |
| 40   | 3.5 | 0.4   | 50   | 11   | 1.5   |
| 40   | 8   | 0.874 | 50   | 6    | 0.82  |
| 40   | 30  | 3.252 | 50   | 6.8  | 0.93  |
| 40   | 4.1 | 0.45  | 50   | 8    | 1.047 |
| 40   | 4.8 | 0.524 | 50.8 | 19   | 2.62  |
| 40   | 6   | 0.66  | 50.8 | 4.8  | 0.694 |
| 40.5 | 6.5 | 0.72  | 51   | 6.7  | 0.934 |
| 40.5 | 9   | 1     | 51   | 8.9  | 1.24  |
| 41   | 2   | 0.23  | 51   | 9.1  | 1.27  |
| 41   | 7.5 | 0.841 | 52   | 10.7 | 1.52  |



## Aluminum Bar

| A    | B   | KG/M  | A    | B    | KG/M  |
|------|-----|-------|------|------|-------|
| 52   | 5.5 | 0.781 | 62   | 4.8  | 0.812 |
| 54   | 4.3 | 0.64  | 62   | 5.6  | 0.95  |
| 54   | 5   | 0.74  | 62   | 6.75 | 1.144 |
| 54   | 5.3 | 0.782 | 62   | 7.5  | 1.27  |
| 55   | 3.1 | 0.462 | 63   | 3.25 | 0.56  |
| 55   | 3.5 | 0.522 | 63   | 3.85 | 0.661 |
| 55   | 4   | 0.596 | 63   | 4.8  | 0.83  |
| 55   | 4.8 | 0.721 | 63   | 4.3  | 0.74  |
| 55   | 7.5 | 1.13  | 63   | 3.5  | 0.602 |
| 56   | 3   | 0.46  | 63.5 | 3    | 0.516 |
| 56   | 4   | 0.612 | 63.5 | 3.85 | 0.663 |
| 56   | 4.8 | 0.74  | 63.5 | 4.3  | 0.75  |
| 56   | 5   | 0.765 | 63.5 | 5    | 0.868 |
| 56   | 6.3 | 0.964 | 63.5 | 6.1  | 1.04  |
| 56   | 7.5 | 1.15  | 63.5 | 6.3  | 1.092 |
| 58   | 4.5 | 0.707 | 64   | 2.6  | 0.454 |
| 58   | 7.3 | 1.16  | 64   | 3.2  | 0.56  |
| 58   | 7.5 | 1.19  | 64   | 3.8  | 0.664 |
| 58.5 | 2.9 | 0.464 | 64   | 4.3  | 0.746 |
| 58.5 | 8   | 1.27  | 64   | 5.0  | 0.874 |
| 59   | 6   | 0.959 | 64   | 5.2  | 0.902 |
| 60   | 3.8 | 0.622 | 64.5 | 3.0  | 0.53  |
| 60   | 4.8 | 0.867 | 66   | 5.6  | 1.01  |
| 60   | 5   | 0.82  | 65   | 0.8  | 0.15  |



## Aluminum Bar

| A    | B    | KG/M  | A    | B    | KG/M  |
|------|------|-------|------|------|-------|
| 65   | 2.5  | 0.44  | 70   | 2.3  | 0.44  |
| 65   | 3.5  | 0.617 | 70   | 3.75 | 0.72  |
| 65   | 6.95 | 1.234 | 70   | 5    | 0.96  |
| 66   | 2.6  | 0.47  | 70   | 5.8  | 1.1   |
| 66   | 3    | 0.54  | 70   | 9    | 1.72  |
| 66   | 3.5  | 0.631 | 72   | 3    | 0.59  |
| 66   | 4    | 0.72  | 72   | 4.1  | 0.806 |
| 66   | 4.3  | 0.78  | 72   | 5.3  | 1.04  |
| 66   | 4.8  | 0.87  | 73   | 5.6  | 1.1   |
| 66   | 5    | 0.9   | 74   | 4.1  | 0.828 |
| 66   | 5.6  | 1.01  | 75   | 2    | 0.41  |
| 66   | 6    | 1.08  | 75   | 3.5  | 0.717 |
| 66   | 6.5  | 1.17  | 77   | 3    | 0.631 |
| 67   | 7.5  | 1.37  | 78   | 2.7  | 0.575 |
| 68   | 11   | 2.027 | 79   | 3    | 0.647 |
| 68   | 2.8  | 0.52  | 79   | 3.5  | 0.749 |
| 68   | 3    | 0.557 | 79.5 | 2    | 0.43  |
| 68   | 7.9  | 1.435 | 80   | 4    | 0.867 |
| 68.5 | 15   | 2.805 | 80   | 5    | 1.08  |
| 69   | 2.8  | 0.524 | 80   | 8    | 1.75  |
| 69   | 3.2  | 0.6   | 80   | 2.8  | 0.612 |
| 69   | 3.5  | 0.66  | 82.2 | 3.2  | 0.718 |
| 69   | 4    | 0.75  | 82.2 | 5    | 1.122 |
| 70   | 0.8  | 0.153 | 75.5 | 3.5  | 0.721 |



## Aluminum Bar

| A     | B   | KG/M  | A     | B    | KG/M  |
|-------|-----|-------|-------|------|-------|
| 75.5  | 2.8 | 0.573 | 127   | 4.6  | 1.594 |
| 75.8  | 2.8 | 0.573 | 127   | 6.1  | 2.114 |
| 79.5  | 2.0 | 0.43  | 127   | 9.2  | 3.19  |
| 83    | 6   | 1.35  | 135   | 2    | 0.73  |
| 84.5  | 6   | 1.384 | 135   | 38.5 | 14.17 |
| 85    | 8   | 1.843 | 135   | 7    | 2.56  |
| 89    | 6.1 | 1.47  | 150   | 7    | 2.85  |
| 90    | 2.6 | 0.63  | 152.4 | 4.6  | 1.913 |
| 90    | 40  | 9.523 | 152.4 | 6.1  | 2.537 |
| 100   | 10  | 2.71  | 152.4 | 9.2  | 3.83  |
| 100   | 20  | 5.46  | 160   | 16   | 6.99  |
| 100   | 4   | 1.084 | 160   | 2    | 0.867 |
| 101.6 | 4.6 | 1.28  | 165   | 12   | 5.366 |
| 101.6 | 6.1 | 1.68  | 165   | 15   | 6.707 |
| 101.6 | 9.2 | 2.55  | 165   | 18   | 8.049 |
| 104   | 8   | 2.25  | 165   | 24   | 10.73 |
| 112   | 3   | 0.91  | 165   | 3    | 1.352 |
| 120   | 2   | 0.65  | 170   | 7    | 3.225 |
| 125   | 15  | 5.12  | 180   | 4    | 1.951 |
| 125   | 30  | 10.24 | 238   | 3.5  | 2.21  |